

PBL-500



Border Label Machine

The PBL-500 is a single needle walking foot zig-zag label machine. It features a lockstitch sewing head designed to sew labels on to medium to heavy borders.

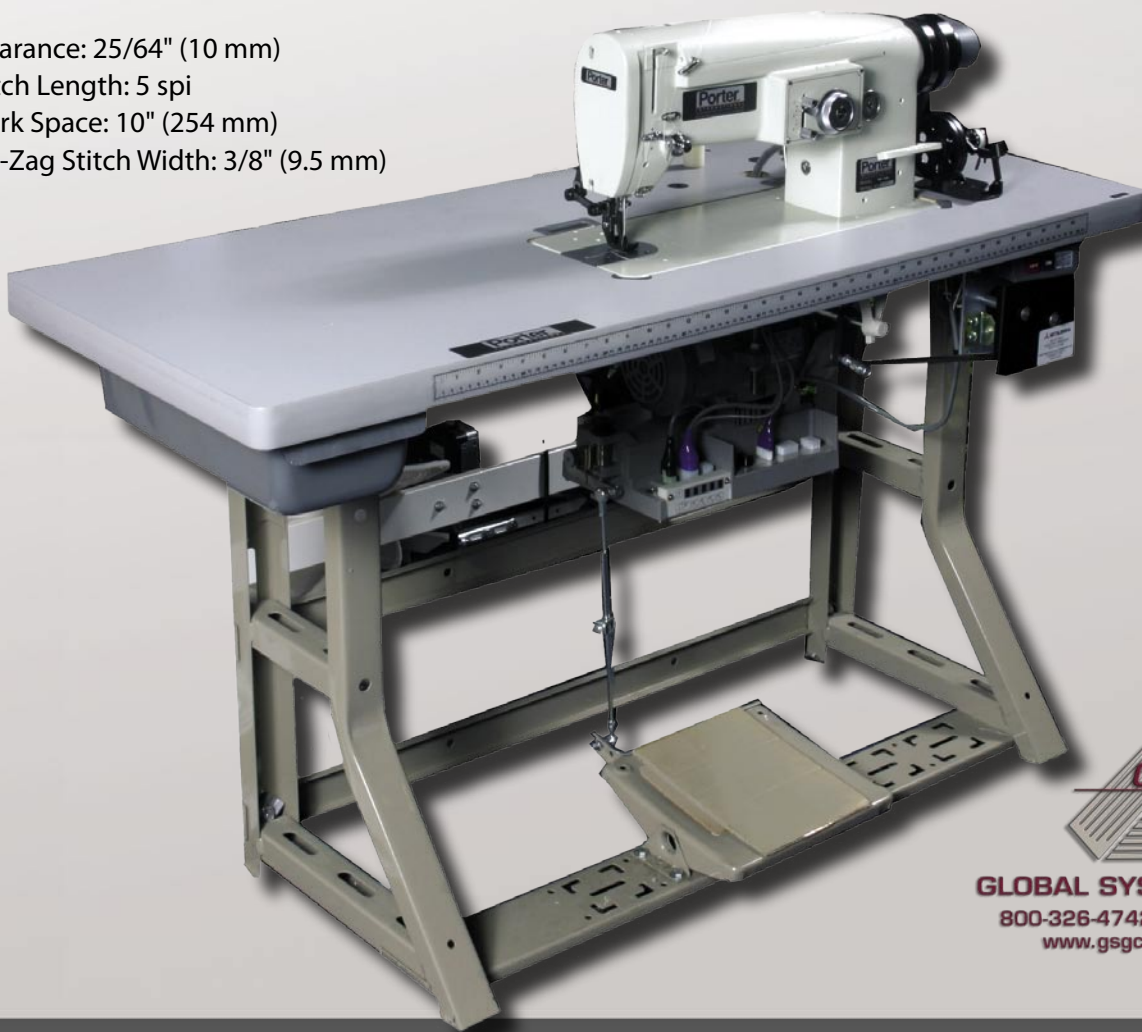
- Walking foot
- No puller necessary
- Even stitch pattern
- Automatic one-side needle positioning for easy turning
- Electronic foot lift
- Backtacking
- Sew borders up to 1/2" (12.7 mm) thick

Clearance: 25/64" (10 mm)

Stitch Length: 5 spi

Work Space: 10" (254 mm)

Zig-Zag Stitch Width: 3/8" (9.5 mm)



GLOBAL SYSTEMS GROUP®

800-326-4742 • 954-846-0300

www.gsgcompanies.com